

Batch controller

Batching Master 110



installation manual

Revision 10.1
10.08.2010

Construction year see type plate

IBS BatchControl GmbH
Marie-Curie-Str. 8
50170 Kerpen
Germany



Tel.: +49 (0) 22 73 / 60 37 0
Fax.: +49 (0) 22 73 / 60 37 22
Internet: www.ibs-batchcontrol.de

Safety information



The Batching Master must only be installed by process electronics engineers or qualified electricians who are authorised by the plant operator to carry out these tasks.

The instrument may only be operated by personnel who are authorised and trained by the plant operator.

The Batching Master must only be connected as specified in the electrical data. The upper part of the housing must not be opened, otherwise maintenance of the electrical data is not ensured and the guarantee becomes null and void.

Validity of Installation and Operating Instructions

- These Installation and Operating Instructions apply to all Batching Master 110 models.
- Your IBS agent will be able to give you information about any improvements or modifications.
- The manufacturer is not responsible for damage caused by incorrect or unauthorised use. Conversions and changes to the instrument must not be made, otherwise the certification and guarantee become invalid.

Operating safety

- The instruments are manufactured in our ISO 9001 certified factory. They comply with the requirements laid down in this standard.
- The Batching Master 110 satisfies the requirements of protection class IP65.
- Danger may occur if the instrument is used incorrectly or in an unauthorised manner. All the information in this manual must be rigorously observed.

Technical Developments

The manufacturer reserves the right to modify technical data without notice.

Repairs, dangerous chemicals

Only the **IBS BatchControl GmbH** is allowed to repair the instruments. Instruments sent to **IBS BatchControl GmbH** for repair must always be accompanied by a note describing the fault.



Warning!

The following procedures must be carried out before an instrument is sent in for repair:

- Remove all residues and deposits that may be present. Pay special attention to the gasket grooves and crevices where residue may collect.
- If materials injurious to health are not completely removed to the highest levels of safety, we cannot accept an instrument for repair.
- Costs of disposal of materials or of injury to personnel (acid burns, etc.) arising because of defective cleaning of the equipment will be charged to the owner of the equipment.

Contents

| | | |
|--------|--|----|
| 1 | System Description..... | 4 |
| 1.1 | Type Codes..... | 4 |
| 1.2 | Areas of Application..... | 4 |
| 1.3 | Block diagram..... | 5 |
| 2 | Fitting and Installation..... | 6 |
| 2.1 | Fitting the Batching Master 110..... | 6 |
| 2.2 | Protection class IP65..... | 6 |
| 2.3 | Temperature range..... | 7 |
| 2.4 | Cable gland and PE..... | 7 |
| 2.5 | Terminal connection..... | 8 |
| 2.5.1 | Power supply 1 and 2..... | 8 |
| 2.5.2 | Pulse inputs..... | 8 |
| 2.5.3 | Analogue inputs..... | 9 |
| 2.5.4 | Analogue output..... | 9 |
| 2.5.5 | Digital inputs..... | 10 |
| 2.5.6 | Digital outputs..... | 10 |
| 2.5.7 | Digital input for an additional OFF contact..... | 11 |
| 2.5.8 | Digital output "OFF pressed"..... | 11 |
| 2.5.9 | RS485 interfaces..... | 11 |
| 2.5.10 | Potential equalisation..... | 11 |
| 2.5.11 | Switch for the enabling of the programming..... | 11 |
| 3 | Operating and display elements..... | 12 |
| 3.1 | Display..... | 12 |
| 3.2 | LEDs..... | 12 |
| 3.3 | Keyboard..... | 12 |
| 4 | Operation..... | 13 |
| 4.1 | Switching on the Batching Masters..... | 13 |
| 4.2 | Batching with the Batching Master..... | 14 |
| 4.3 | Fault messages..... | 14 |
| 4.4 | Programming..... | 16 |
| 5 | Terminal assignment..... | 17 |
| 6 | Declaration of Conformity..... | 19 |

1 System Description

The microprocessor-controlled Batching Master 110 is a simple to use multi-function batcher used for the recording and controlling of flow quantities in batching and filling processes.

1.1 Type Codes

The following types can be supplied:

| | |
|--------------------------|--|
| Batching Master 110 | Analog inputs 1 - 3 not electrically isolated |
| Batching Master 110 – SB | Analog inputs 1 - 3 not electrically isolated, Display with backlight |

1.2 Areas of Application

- **The maximum permissible ambient temperature is +60 °C.**
- **The minimum permissible ambient temperature is -20 °C.**

The Batching Master controls batching and terminates this when the preselected quantity is reached. A positioner (4 – 20 mA) and several contacts are controlled depending on the batching. Up to four control signals can be fed to the Batching Master. A controller is available to control the flow rate or another physical quantity (option).

There is a choice of current (4 - 20 mA) or contact input. The contact input permits the connection of passive contacts or optical couplers. Selection of the input option is carried out via the software.

The input can be linearised by the software.

The Batching Master can be easily set to the different measuring ranges.

The (active) digital inputs can be assigned various functions (e.g. preselection, start, stop, etc.).

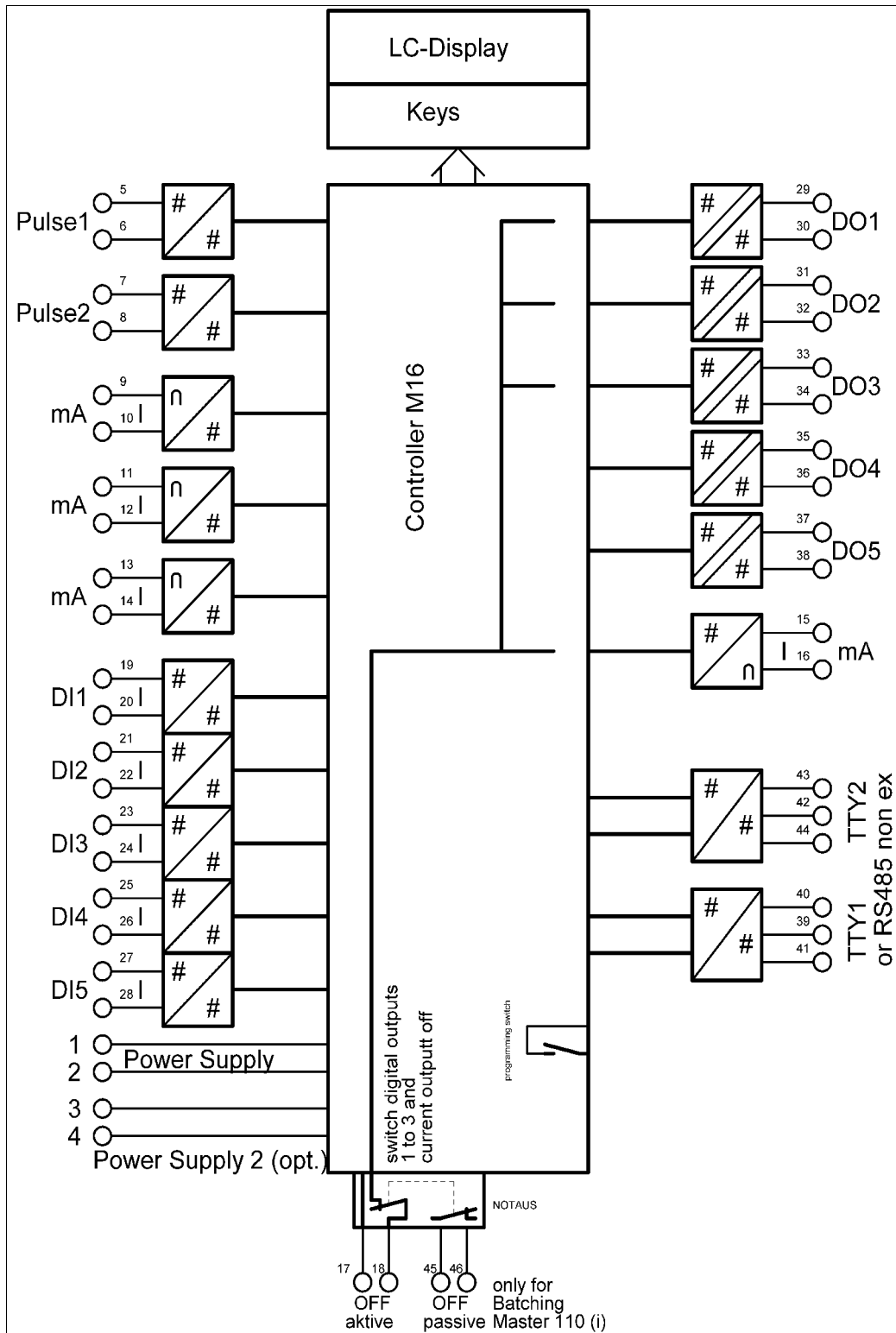
The (passive) digital outputs can be programmed to provide status signaling.

The Batching Master can be configured and controlled via a serial interface (MOD-BUS) with RS485.

Access to the various program levels can be protected by a numerical code.

The Batching Master 110i is supplied in a field housing (IP65) with external dimensions of 240 mm x 240 mm.

1.3 Block diagram

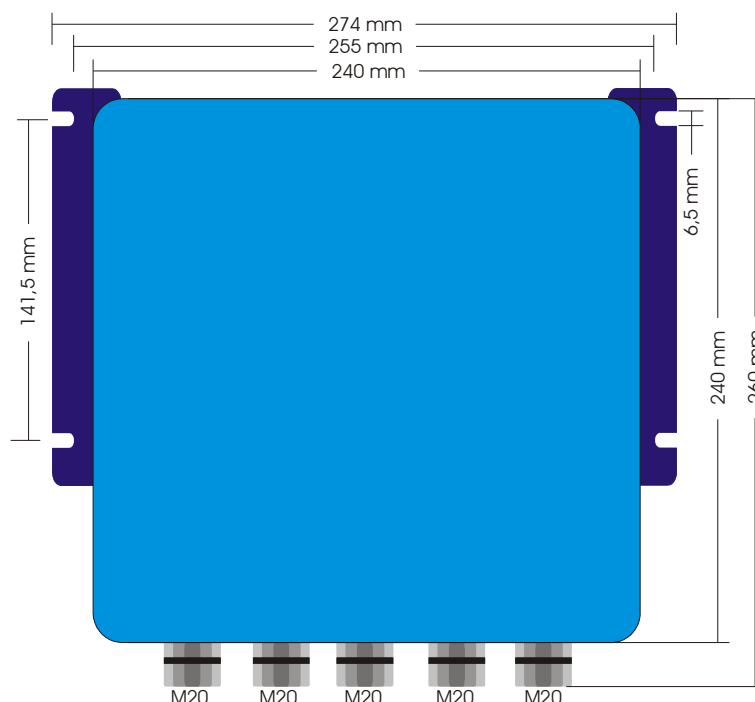


2 Fitting and Installation

This information in this section is important and must be observed during fitting and installation.

2.1 Fitting the Batching Master 110

The Batching Master 110 has external dimensions of 240 mm x 240 mm. There are fixing straps on the rear for wall mounting. Cable entry is from below.



2.2 Protection class IP65

The Batching Master 110 conforms to protection class IP65. The following points must be observed to guarantee the protection class.

- The housing seals must be fitted correctly and undamaged in the sealing grooves. If necessary, the seals must be dried, cleaned or replaced.
- All housing screws and screwed covers must be correctly tightened.
- The cables used for the connections must have the specified external diameter.
- Cable glands must be screwed up tight.
- Unused cable glands must be replaced by blanking plugs.
- The protective sleeve must not be removed from the cable gland.

2.3 Temperature range

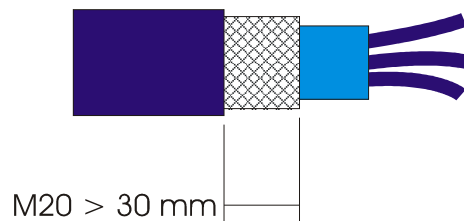
The Batching Master 110 can be operated in the range -20°C to $+60^{\circ}\text{C}$.

2.4 Cable gland and PE

Only shielded cable may be used. The shield must be connected in the EMC gland. The PE must be connected to the PE terminal on the side of the housing.

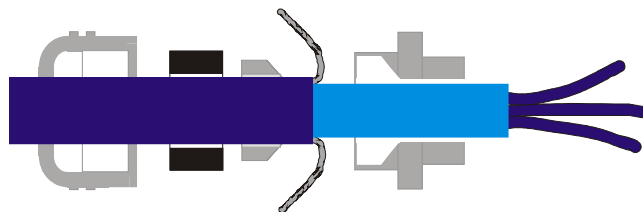
The glands are suitable for cable diameters from 7.5 to 13 mm.

The cable end must be stripped as shown in the drawing below.

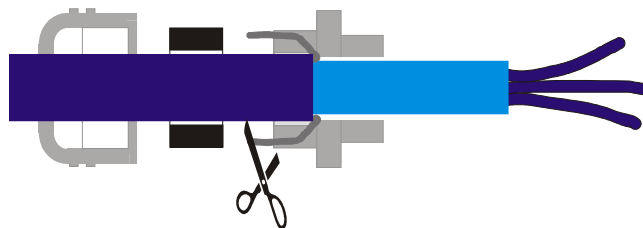


The metal shield must be at least 30 mm long for M20 glands.

Insert the cable into the gland.



Push the cable and sleeve into the gland and cut off the projecting braid.



Tighten the nut.

Conformance with the EMC regulations can only be guaranteed if these measures are observed.

2.5 Terminal connection

The technical data must be observed at all times.

2.5.1 Power supply 1 and 2

The power supply 1 provides power for all the electronics, the analogue output and the digital inputs and outputs.

The power supply 2 provides power for the optional back light of the LCD.

| | | |
|-------------------------------|------------|---|
| Terminal 1 (+) Terminal 2 (-) | | |
| Terminal 3 (+) Terminal 4 (-) | | |
| Voltage U | DC 18 – 30 | V |
| Current I | 330 mA | |

2.5.2 Pulse inputs

The Batching Master has connections for 2 pulse inputs. The second pulse input is needed for evaluation purposes when using certified instruments. Namur contacts or passive electrically isolated contacts (opto coupler, relay contact) may be connected.

| | | |
|--|----------|--|
| Pulse input 1: Terminal 5 (+) Terminal 6 (-) | | |
| Pulse input 2: Terminal 7 (+) Terminal 8 (-) | | |
| Voltage U_{\max} | DC 5,6 V | |
| Current I_{\max} | 3 mA | |

The pulse input supplies a constant current of approx. 3 mA. The maximum voltage that can be measured is approximately 5.6 V. Please note that terminals 6 and 8 must not be connected to ground and not to the same potential.

2.5.3 Analogue inputs

The Batching Master has 3 analogue inputs (4 - 20 mA).

As standard, the analogue inputs are not voltage-free, i.e. the minus is at instrument ground potential. The equipment connected must be able to drive a load of approx. 100Ω.

| | |
|--|--------|
| Current input 1: Terminal 9 (+) Terminal 10 (-) | |
| Current input 2: Terminal 11 (+) Terminal 12 (-) | |
| Current input 3: Terminal 13 (+) Terminal 14 (-) | |
| Voltage U _{max} | DC 5 V |
| Current I _{max} | 25 mA |

On request, each input can be provided with an isolating transformer module as an option. The input is then galvanically isolated. This must be specified when ordering. The electrical values remain unchanged.

2.5.4 Analogue output

The Batching Master has an analogue output (4 - 20 mA) for the controlling of a valve.

The analogue output is not electrically isolated. The minus is at ground potential. The maximum load that can be connected depends on the valve control module that supplies the Batching Master. A load of up to 1000Ω can be driven by 24V power supply.

| | |
|--|------------------|
| Analog output: Terminal 15 (+) Terminal 16 (GND) | |
| The following values may occur: | |
| Voltage U _{max} | U _{ein} |
| Current I _{max} | 95 mA |

The current output is switched off when the OFF switch is operated.

2.5.5 Digital inputs

The Batching Master has four digital inputs. The digital inputs can be assigned a wide range of functions via the software.

The digital inputs are active (approx. 100 μ A / 5V). Passive switches or optical couplers can be connected.

| | |
|---|---------|
| Digital input 1: Terminal 19 (+) Terminal 20 (GND) | |
| Digital input 2: Terminal 21 (+) Terminal 22 (GND) | |
| Digital input 3: Terminal 23 (+) Terminal 24 (GND) | |
| Digital input 4: Terminal 25 (+) Terminal 26 (GND) | |
| Digital input 5: Terminal 27 (+) Terminal 28 (GND) | |
| Voltage U_{max} | DC 6 V |
| Current I_{max} | 0.2 mA |
| Supply circuits with the following maximum values can be connected to each circuit: | |
| Voltage U_i | DC 36 V |
| Current I_i | 100 mA |

If you want to use active signals you have to switch the 24V and 0V to the input. It is not enough to switch only 24V to the input. Then the open contact is not identified. After setting the input to 0V the controller identified this signal.

2.5.6 Digital outputs

The Batching Master has five digital outputs. The digital outputs can be assigned a wide range of functions via the software. Control outputs 1 to 3 are switched off when the OFF switch is operated. These contacts then open.

The control outputs are electrically isolated and passive. Please note the potential direction of the outputs.

| | |
|---|---------|
| Digital output 1: Terminal 29 (+) Terminal 30 (-) | |
| Digital output 2: Terminal 31 (+) Terminal 32 (-) | |
| Digital output 3: Terminal 33 (+) Terminal 34 (-) | |
| Digital output 4: Terminal 35 (+) Terminal 36 (-) | |
| Digital output 5: Terminal 37 (+) Terminal 38 (-) | |
| Supply circuits with the following maximum values can be connected to each circuit: | |
| Voltage U_{max} | DC 36 V |
| Current I_{max} | 500 mA |

2.5.7 Digital input for an additional OFF contact

An external passive OFF switch can be connected to these terminals. These terminals carry 5 V at 0.5 mA. If an external OFF switch is not connected, these terminals must be linked. When the OFF switch is operated, a hardware action switches off digital outputs 1 to 3 and the current output, i.e. the current is less than 4 mA and digital outputs 1 to 3 are open. The OFF switch at the front has the same function.

| | |
|---|--------|
| Active OFF: Terminal 17 (+) Terminal 18 (GND) | |
| The following values may occur: | |
| Voltage U _o | DC 6 V |
| Current I _o | 1 mA |

2.5.8 Digital output “OFF pressed”

A normally-closed contact from the OFF switch is connected directly to the terminals.

| | |
|---|---------|
| Passive OFF switch: Terminal 45 Terminal 46 | |
| Supply circuits with the following maximum values can be connected: | |
| Voltage U _i | DC 36 V |
| Current I _i | 500 mA |

2.5.9 RS485 interfaces

A higher level system can be connected to the interface. The protocol is Modbus RTU or ASCII

| |
|--|
| Interface 1: Terminal 39 (B) Terminal 40 (GND) Terminal 41 (A) |
| Interface 2: Terminal 42 (B) Terminal 43 (GND) Terminal 44 (A) |

2.5.10 Potential equalisation

The PE must be connected to the PE terminal on the side of the housing.

2.5.11 Switch for the enabling of the programming

For certified custody transfer instruments, there is a small switch near the connection terminals. In the case of certified instruments, the switch is sealed by the Weights and Measures Office and cannot be operated.

3 Operating and display elements



3.1 Display

The LCD display has two lines of 16 characters each. The character height is approx. 10 mm. A LCD backlight is available in version –SB.

The upper LCD indicates the preselected quantity. The lower LCD indicates the current quantity batched. The display can be changed to flow, totaliser or flow controller (only if this is active) using the [#] key.

3.2 LEDs

The LEDs in function keys F1 to F3 can indicate various conditions. The RC LED indicates that data can be read and also written by the interface.

3.3 Keyboard

The Batching Master has 24 short-stroke keys. In addition, there is an OFF switch in the housing.

In these Operating Instructions, keys are shown in square brackets. For instance, if the number 15 is to be entered, this is shown as [15]. The Set key is shown as [Set].

4 Operation

The upper line of the display indicates the preset quantity. In programming mode, the function to be executed is displayed.

The lower line indicates the quantity batched. In programming mode, the value of the function or setting is shown.

You can switch the lower display to flow indication with the [#] key. You can switch to totaliser by pressing the key again. The totaliser indication is only possible when batching is not taking place. The display resets itself after about 4 seconds.

If the flow controller is active, the flow setpoint is displayed in the upper display by pressing the [#] key at the same time as the flow is being indicated in the lower display.

If a limiting controller is switched on, the lower display will show the controlled variable rather than the flow when the [RC] key is pressed. The upper display shows the reference variable. The controller display resets itself to the batched quantity after about 4 seconds.

If the lower display indicates flow at the start of batching, it will switch automatically to the batched quantity. The flow can then be displayed again by pressing the [#] key. The display will not automatically revert to batched quantity.

The quantity is always shown with the appropriate unit in each case.

The RC key also contains a red LED to indicate that the remote control interface is on.

Keys 1 to 3 contain additional indicator LEDs. Functions can be assigned to these LEDs.

These LEDs can also be activated via the interface. Keys F1 to F3 can be interrogated via the interface.

4.1 Switching on the Batching Masters

The instrument carries out a self-test as soon as it is connected to the power supply. The instrument number and software version are displayed. All data stored in the FRAM (ferro-electric non-volatile RAM, a non-volatile data memory) is then read.

The most recent preselected and batched quantities are displayed. The instrument waits for an input.

4.2 Batching with the Batching Master

You must press the [Reset] key before the first batching process. The last preselection is reset.

Enter the preselected quantity using the numeric keys [1 to 9]. A decimal point will be displayed in a fixed position.

The preselection value must be confirmed with [Set]. The last quantity batched is set to 0.

The Batching Master is now ready to start batching.

Press the [Start] key to start batching. The digital shutoff steps switch on, the current output runs up to 20 mA. Active batching is indicated on the display (B appears at the bottom left). You can interrupt the batching with [Stop] or OFF at any time.

Batching interrupted with Stop can be continued immediately with [Start]. If batching is stopped as the result of an OFF, the fault message must first be reset with [Reset]. You can then continue batching with [Start].

A new batching process can be started immediately with [Set] [Start] if the preselected quantity does not need to be changed.

After stopping, batching can be terminated with RESET.

After a supply break down you can take up the batch with [Start] again.

4.3 Fault messages

The Batching Master can detect various faults. Batching is interrupted immediately. The fault is reset by pressing the RESET key (see Holding Register 5 and 6).

| <i>Lower Display</i> | <i>Upper Display</i> | <i>Fault No.</i> | <i>Fault Type</i> |
|---|----------------------|------------------|--|
| FRAM | Error in | 1 | Memory error |
| ERR S.-Break NK1 alternating with batched quantity (app. 1 sec intervals) | Preselected quantity | 2 | Namur contact 1 sensor break |
| ERR S.-Break NK2 altern. with batched quantity | Preselected quantity | 4 | Namur contact 2 sensor break |
| ERR S.-Break mA1 altern. with batched quantity | Preselected quantity | 8 | Analogue input 1 sensor break |
| ERR S.-Break mA2 altern. with batched quantity | Preselected quantity | 16 | Analogue input 2 sensor break |
| ERR S.-Break mA3 altern. with batched quantity | Preselected quantity | 32 | Analogue input 3 sensor break |
| ERR M.-range mA1 altern. with batched quantity | Preselected quantity | 64 | Analogue input 1 measurement range violation |

| <i>Lower Display</i> | <i>Upper Display</i> | <i>Fault No.</i> | <i>Fault Type</i> |
|--|----------------------|------------------|--|
| ERR M.-range mA2 altern. with batched quantity | Preselected quantity | 128 | Analogue input 2 measurement range violation |
| ERR M.-range mA3 altern. with batched quantity | Preselected quantity | 256 | Analogue input 3 measurement range violation |
| ERR MIN. FLOW altern. with batched quantity | Preselected quantity | 1024 | Flowrate lower than permitted minimum |
| ERR sensor altern. with batched quantity | Preselected quantity | 2048 | External fault message (e.g. mass measurement fault) |
| not enabled 1 altern. with batched quantity | Preselected quantity | 4096 | 1 not enabled |
| not enabled 2 altern. with batched quantity | Preselected quantity | 8192 | 2 not enabled |
| ERR Over batched altern. with batched quantity | Preselected quantity | 16384 | Over-batching |
| ERR OFF altern. with batched quantity | Preselected quantity | 32768 | OFF |
| ERR Printer altern. with batched quantity | Preselected quantity | 65536 | Printer fault |
| | | 131072 | Preselection too small |
| | | 262144 | Preselection too large |
| | | 524288 | Pulse faulty (in case of double pulse) |
| | | 1048476 | B confirmation not present |
| | | 2097152 | Printer ERR. Communication error |
| | | 4194304 | Printer Busy |
| | | 8388608 | Printer ERR. Paper OUT |

Faults 1 and 32768 are monitored continuously. Faults 2 to 8192 are monitored following start. Fault 65536 is monitored before starting and after stopping batching. Fault 16384 is monitored after stopping batching.

4.4 Programming

To enter the programming level, press the Menu key. The Batching Master displays the current software version and the instrument number. A checksum has to be generated to check the certification data.

If a sub-menu is selected, you can access the next level using the \blacktriangleright key. A code is requested if one has been entered. The code request is by-passed if the programming enable switch is on. For certified instruments, the certification data can only be changed by switching on the programming enable switch (install, calibration and characteristic level).

Programming is only implemented when the “Quit programming” menu level is correctly terminated. The programming level is quit via a selection menu by pressing the \blacktriangleleft key to exit all levels. The “Save” prompt appears. You can change from “Yes” to “No” using the \blacktriangleup / \blacktriangledown keys. The setting is then confirmed by pressing the \blacktriangleleft or Set key. All data are saved. The batch controller is now in batching mode again. Programming cannot take place during batching (except for the controller function).

If the Batching Master detects invalid data in FRAM, a fault message is issued. A COLD-START can be initiated by pressing the RC key when switching on. A prompt appears asking whether all data is to be deleted (factory) or whether just the settings (basic settings) are to be reset (software options, characteristic and instrument number). The factory reset cannot be accessed by the user.

| <i>Cold-Start</i> | <i>Upper Display</i> | <i>Lower Display</i> |
|--|------------------------------|---------------------------------------|
| The LCD indicates Cold Start after switching on. Entries are made using the \blacktriangleright key. The upper display flashes. You can change between the levels with the \blacktriangleup / \blacktriangledown arrow keys and confirm with the \blacktriangleleft or SET keys. When the setting has been confirmed, the associated code is requested. The setting is only deleted if the code is entered correctly. Settings: Basic setting Factory setting Display basic setting at first | Cold-Start | Factory setting |
| Basic setting | Code Install code request | Each key pressed is shown as a field. |
| Factory | Code Factory code request | Each key pressed is shown as a field. |

5 Terminal assignment

| <i>Terminal</i> | <i>Function</i> | <i>Remark</i> | <i>Page</i> |
|-----------------|---|---------------|-------------|
| 1 | Power supply 1 + | | 8 |
| 2 | Power supply 1 - | | |
| 3 | Power supply 2 + | not used | 8 |
| 4 | Power supply 2 - | not used | |
| 5 | Pulse input 1 + | | 8 |
| 6 | Pulse input 1 - | | |
| 7 | Pulse input 2 + | | 8 |
| 8 | Pulse input 2 - | | |
| 9 | 4/20 mA analoge input 1+ | | 9 |
| 10 | 4/20 mA analoge input 1- | | |
| 11 | 4/20 mA analoge input 2+ | | 9 |
| 12 | 4/20 mA analoge input 2- | | |
| 13 | 4/20 mA analoge input 3+ | | 9 |
| 14 | 4/20 mA analoge input 3- | | |
| 15 | 4/20 mA analoge output + | | 9 |
| 16 | 4/20 mA analoge output + | | |
| 17 | Digital input for an ext. OFF contact + | | 11 |
| 18 | Digital input for an ext. OFF contact + | | |
| 19 | Digital input 1 + | | 10 |
| 20 | Digital input 1 - | | |
| 21 | Digital input 2 + | | 10 |
| 22 | Digital input 2 - | | |
| 23 | Digital input 3 + | | 10 |
| 24 | Digital input 3 - | | |
| 25 | Digital input 4 + | | 10 |
| 26 | Digital input 4 - | | |
| 27 | Digital input 5 + | | 10 |
| 28 | Digital input 5 - | | |
| 29 | Digital output 1 + | | 10 |
| 30 | Digital output 1 - | | |
| 31 | Digital output 2 + | | 10 |
| 32 | Digital output 2 - | | |

Terminal assignment

| Terminal | Function | Remark | Page |
|-----------------|------------------------------|------------------------------|-------------|
| 33 | Digital output 3 + | | 10 |
| 34 | Digital output 3 - | | |
| 35 | Digital output 4 + | | 10 |
| 36 | Digital output 4 - | | |
| 37 | Digital output 5 + | | 10 |
| 38 | Digital output 5 - | | |
| 39 | Interface RS485 1 B + | | 11 |
| 40 | Interface RS485 1 Gnd | | |
| 41 | Interface RS485 1 A - | | |
| 42 | Interface RS485 2 B + | | 11 |
| 43 | Interface RS485 2 Gnd | | |
| 44 | Interface RS485 2 A - | | |
| 45 | Digital output „OFF pressed“ | only for Batching Master 110 | |
| 46 | Digital output „OFF pressed“ | only for Batching Master 110 | |

6 Declaration of Conformity

Konformitätserklärung ***Declaration of Conformity***

IBS BatchControl GmbH
Marie-Curie-Str. 8
50170 Kerpen
Germany



erklärt in alleiniger Verantwortung, dass das Produkt
assumes sole responsibility in stating that the product

Batching Master 110

mit den Vorschriften folgender europäischer Richtlinie übereinstimmt:
conform with the prescription of following european directives:

EMV-Richtlinie / *EMC-Directive 2004/108/EG*

Die Übereinstimmung wird nachgewiesen durch die Einhaltung
folgender Normen oder normativer Dokumente:
*The conformity are verified under observance
of following standards or standard documents:*

OIML D11 chapter 13.8; 12.2, 12.4, 12.1.2, 12.1.1 & 1 / 2 including:

IEC 61000-4-2:1995 + A1:1998 + A2:2001

IEC 61000-4-3:2002 + A1:2002

IEC 61000-4-4:2004

IEC 61000-4-5:1995 + A1:2000

IEC 61000-4-6:1996 + A1:2000

EN 55011:1998 + A1:1999 + A2:2002

Kerpen, 29.02.2008

Entwicklung / Development
i. V. Karl Fasen